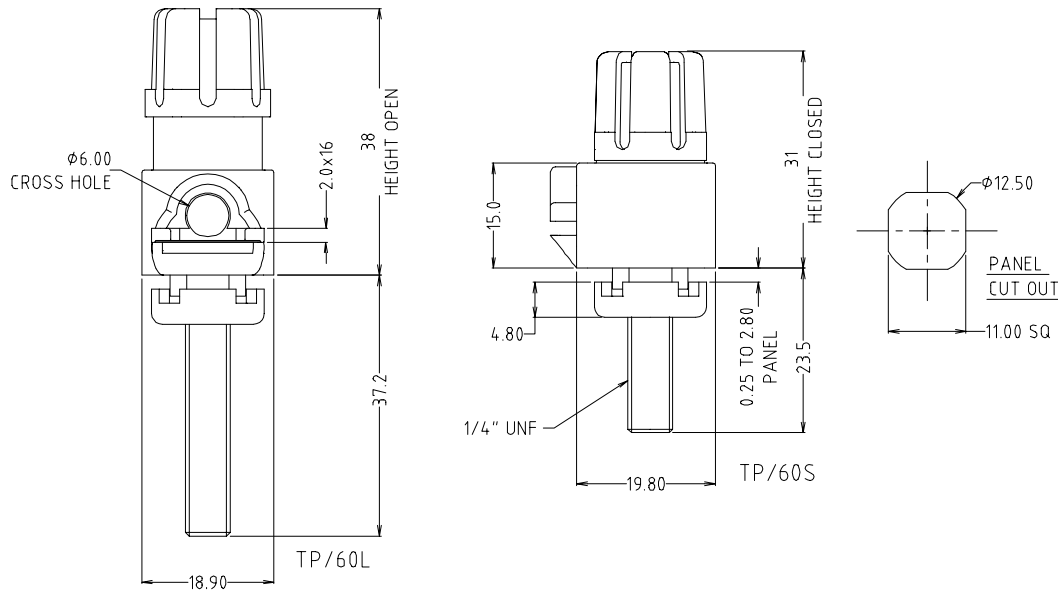
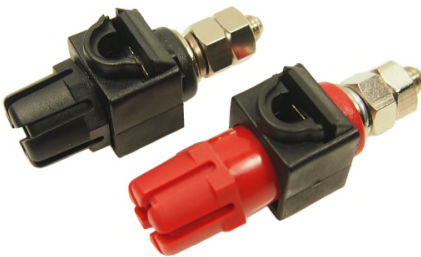


CLIFF

60A. TERMINAL TP60



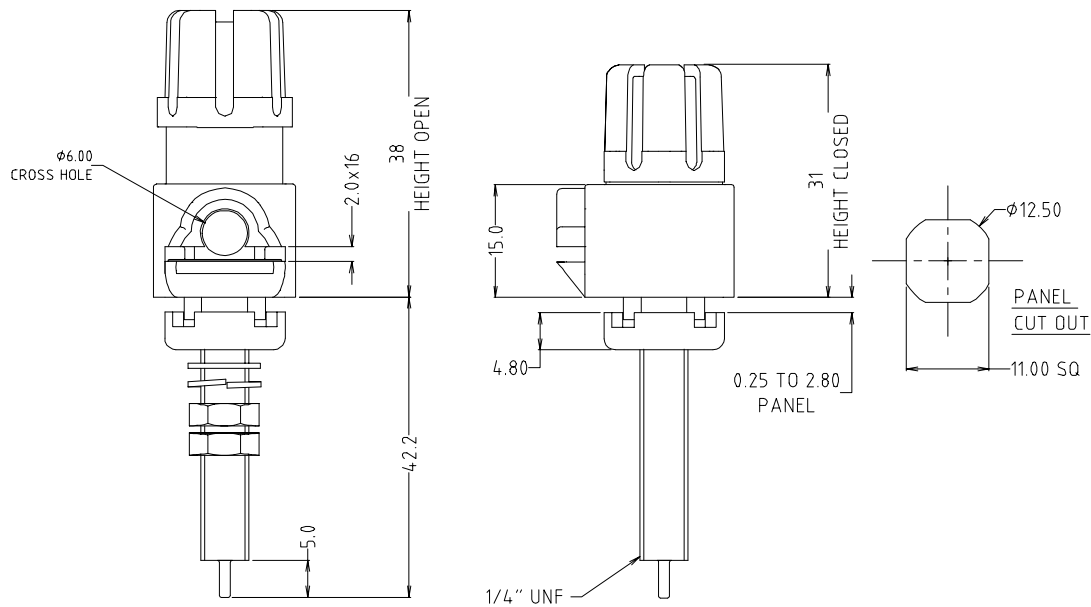
- TP60L** - 37.2mm spindle length
CL159791 - TP60L Black Nickel Plated
CL159792 - TP60L Black Gold Plated
CL159793 - TP60L Red Nickel Plated
CL159794 - TP60L Red Gold Plated



- TP60S** - 23.5mm spindle length
CL159795 - TP60S Black Gold Plated
CL159796 - TP60S Red Gold Plated
CL159797 - TP60S Black Nickel Plated
CL159798 - TP60S Red Nickel Plated



- TP60C/SG** - 23.5mm spindle length, 3mm slot
FCR159801 - TP60C/SG Clear/Red Gold Plated
FCR159802 - TP60C/SG Clear/Black Gold Plated



TP60P - PC Mounting

FCR159791P - TP60P Black Nickel Plated

FCR159791PG - TP60P Black Gold Plated

FCR159793P - TP60P Red Nickel Plated

FCR159793PG - TP60P Red Gold Plated

Specification

Maximum Current: 60A.

Contact Resistance: Nickel <30mΩ, Gold <20mΩ

Temperature Rating: -20°C to +80°C

Flammability: Minimum UL 94HB

UL File: E151339

For further information, contact sales@cliffuk.co.uk

Cliff Electronic Components Limited,
 76 Holmethorpe Avenue, Holmethorpe Ind. Estate,
 Redhill, Surrey RH1 2PF U.K.
 Tel: +44 (0)1737 771375 Fax: +44 (0)1737 766012



Visit us online at: www.cliffuk.co.uk