

# CLIFF

## 30A. TERMINAL TP44

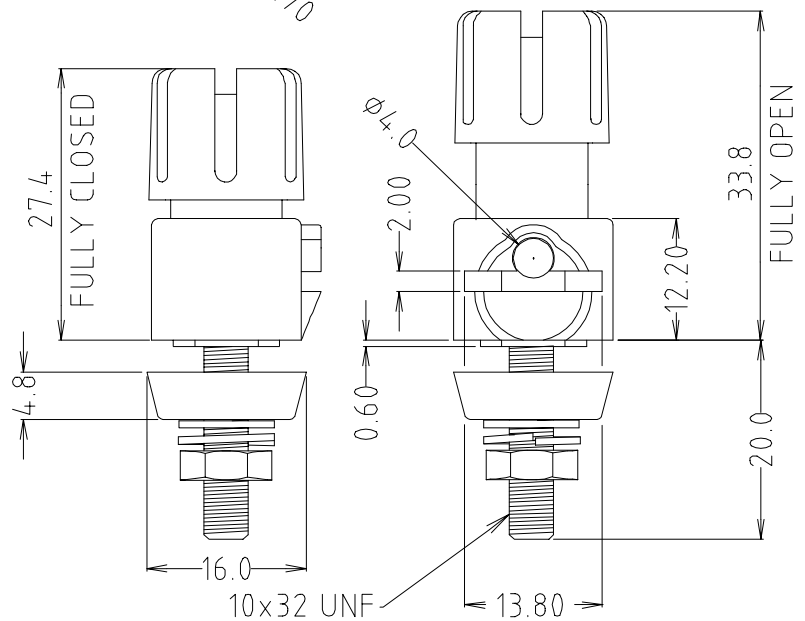
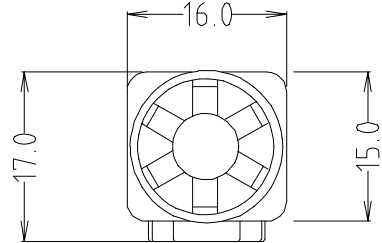
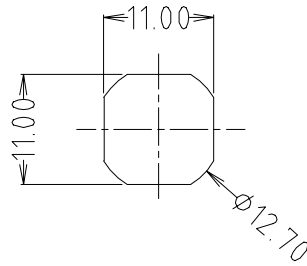


**CL15941 - TP44 BLACK**



**CL15942 - TP44 RED**

PANEL MOUNTING  
DETAIL



### Specification

Maximum Current: 30A.

Contact Resistance: Nickel <30mΩ,

Temperature Rating: -20°C to +80°C

Flammability: Minimum UL 94HB

UL File: E151339