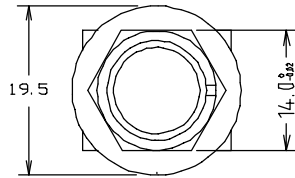
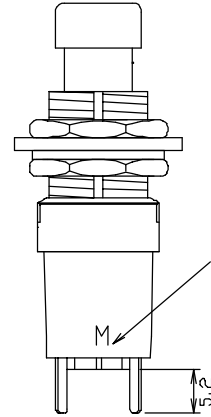
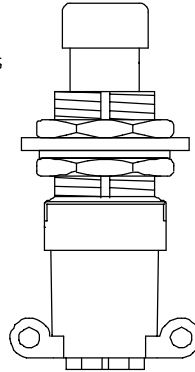
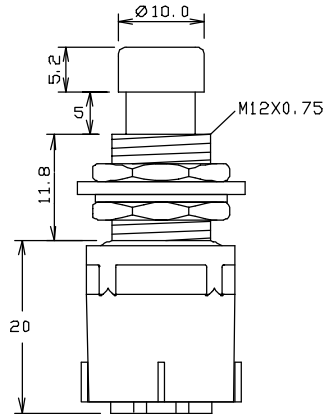


CLIFF SWITCHES

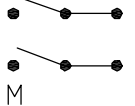
4066 SERIES



Rated 1A. 250VAC



MOMENTARY TYPE TO BE MARKED WITH 'M' ON NORMALLY OPEN SIDE.

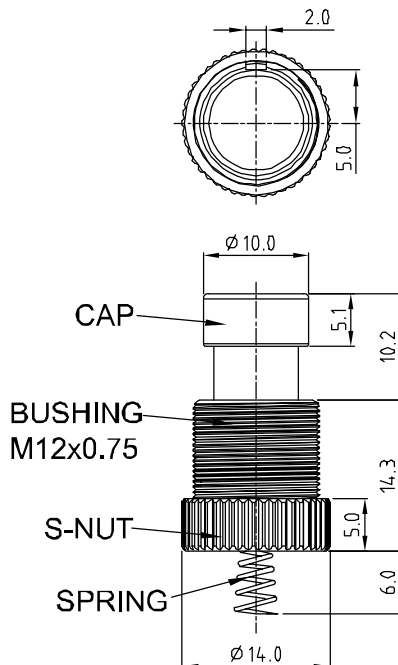


- FC7105** - DPDT Momentary solder tags.
- FC71055** - DPDT ON/OFF solder tags.
- FC7106** - DPDT Momentary PC tags.

FOOTSWITCH SPRING ACTUATOR



Part No. **FC7125**



Operating Force: 650±250gf
Life Cycles: 20,000 times

Supplied with 1 nut and 1 washer

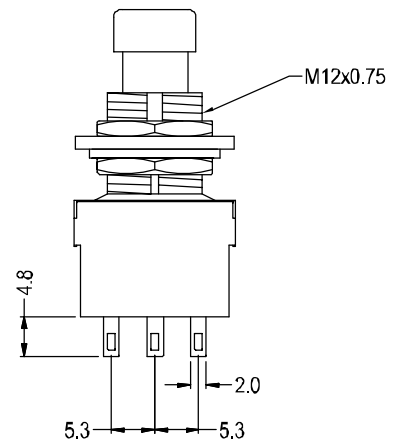
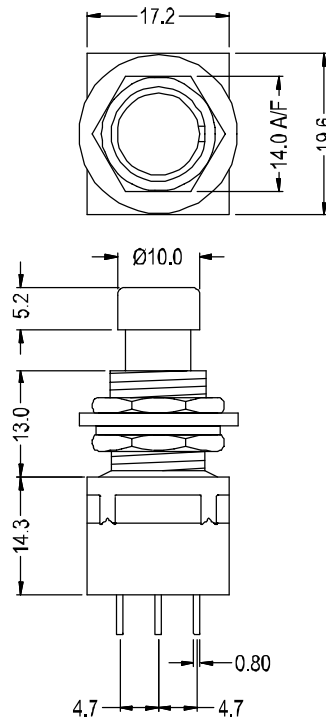
CLIFF SWITCHES

3 POLE SERIES



FC71101 - 3PDT switch solder tags ON/OFF

FC71102 - 3PDT switch PCB tags ON/OFF



Specification

Rating: AC125V 4A, 250V 2A.

Contact Resistance: 20mΩ max.

Insulation Resistance: DC500V 100MΩ min.

Dielectric Strength: AC1500V 1 minute.

Operating temp: -20°C to +65°C

Electrical life: 20,000 make/break cycles at full load.

For further information, contact sales@cliffuk.co.uk

Cliff Electronic Components Limited,
76 Holmethorpe Avenue, Holmethorpe Ind. Estate,
Redhill, Surrey RH1 2PF U.K.
Tel: +44 (0)1737 771375 Fax: +44 (0)1737 766012



Visit us online at:



www.cliffuk.co.uk