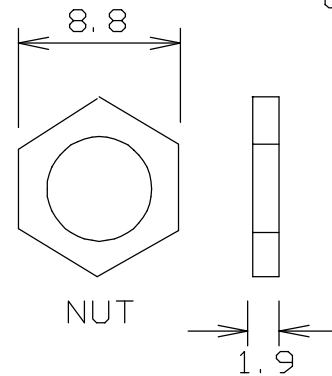
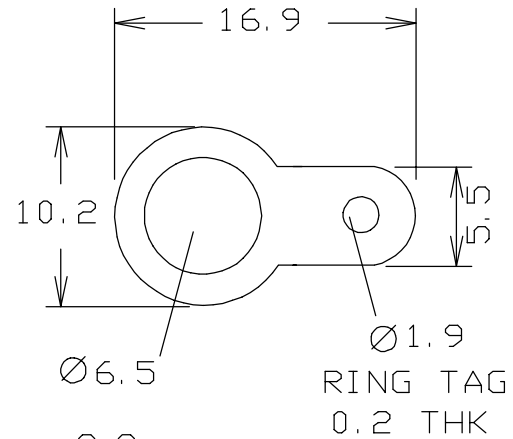
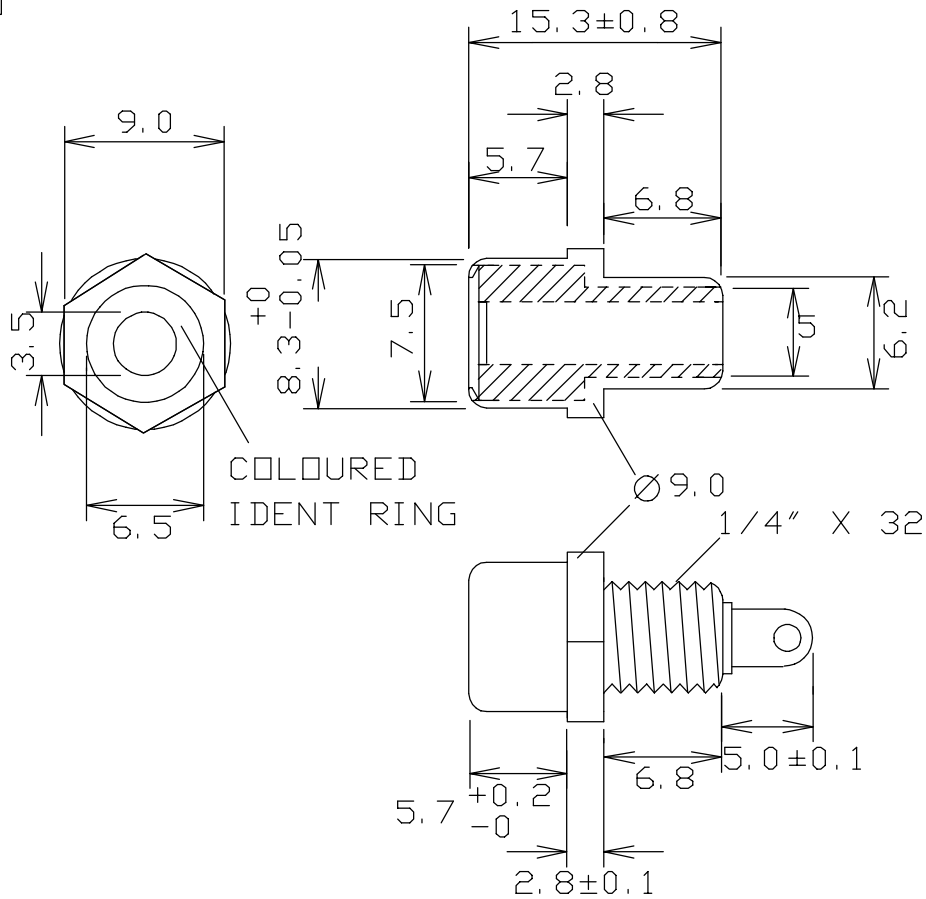


| ISS. | AMEND | DATE |
|------|----------------|---------|
| 1 | WAS ON FC68367 | 14/6/16 |



MAX PANEL THK 3.3mm

MAX NUT TIGHTENING TORQUE 1NM.

RoHS
COMPLIANT

TOLERANCE
 NO DEC. PLACE ± 0.25
 1 DEC. PLACE ± 0.2
 2 DEC. PLACE ±
 HOLE Ø ±
 ANGLES ± 1/2°
 UNLESS OTHERWISE STATED

DO NOT SCALE

Cliff Electronic Components Ltd.
 76 Holmethorpe Avenue, Holmethorpe Industrial Estate,
 Redhill, Surrey, RH1 2PF, England, UK
 Tel: 01737-771375 Fax: 01737-766012 Website: www.cliffuk.co.uk

DIMENSIONS IN MILLIMETERS UNLESS OTHERWISE STATED. WORK TO DIMENSIONS. REMOVE ALL BURRS. IF IN DOUBT ASK.

3rd ANGLE PROJECTION:

MATERIAL: ABS / BRASS
 FINISH: AS MOULDED / Ni PLATED

TITLE: SINGLE CHASSIS PHONO SOCKET PHS-1A RED

THE CONTENTS OF THIS DOCUMENT MUST NOT BE COPIED OR DISCLOSED TO A 3rd PARTY WITHOUT WRITTEN PERMISSION OF CLIFF UK. © 1990

DRAWN: T.J.O.

APPROVED: D.P.J.

DRWG. No. **FC 68369**

FORM: A4DRWGH