

CLIFF

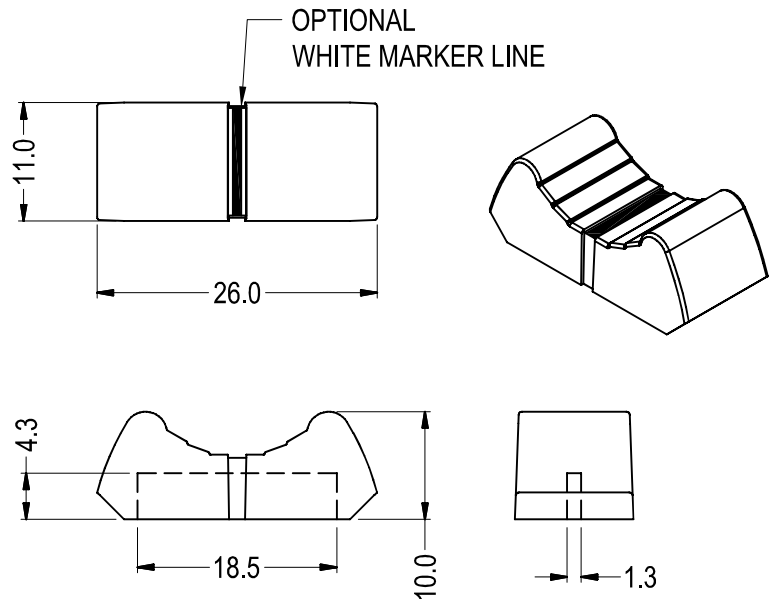
T-BAR SLIDER KNOB CS13

CS13 is an addition to our slider knob range.

Conductive version available in black ONLY. Surface resistivity 10^3 Ohms/SQ.

Non conductive version is available in black as standard. Other colours available subject to minimum order quantities.

All versions have a matt finish to match other knobs in our range.



PART No.

CP343601

T-BAR SLIDER KNOB CS13 WITHOUT MARKER LINE

CP343602

T-BAR SLIDER KNOB CS13 WITH MARKER LINE

CP343611

CONDUCTIVE T-BAR SLIDER KNOB CS13 WITHOUT MARKER LINE

CP343612

CONDUCTIVE T-BAR SLIDER KNOB CS13 WITH MARKER LINE