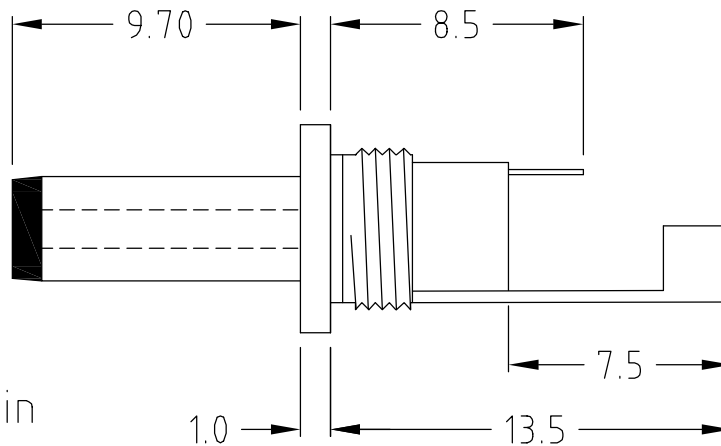
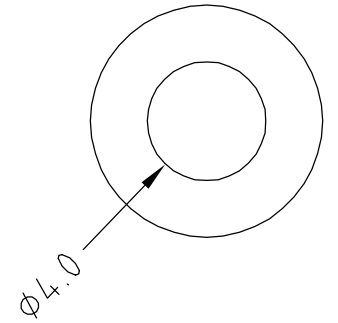
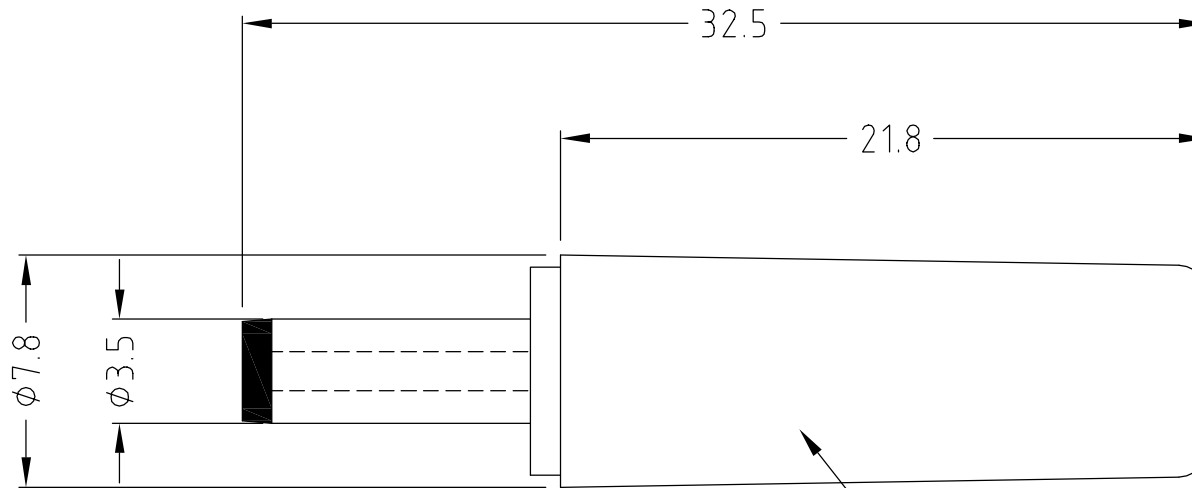
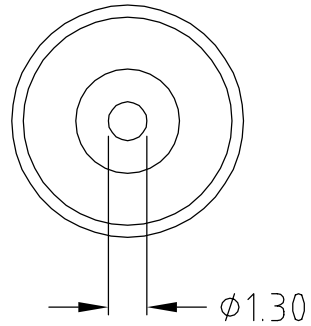


ISS.	AMEND	DATE
1	1st DRAWN	15/1/92
2	REVISED	21/10/93
3	WAS ON FC68147	15/06/15



BLACK COVER

Nominal Rating: 12V 5A (60VA)
 Dielectric Strength: AC 500V/1min
 Insulation Resistance: DC 500V/100M Ω

RoHS
 COMPLIANT

TOLERANCE
 NO DEC. PLACE ± 0.50
 1 DEC. PLACE ± 0.25
 2 DEC. PLACE ± 0.10
 HOLE $\phi \pm 0.10$
 ANGLES $\pm 1/2^\circ$
 UNLESS OTHERWISE STATED

Cliff Electronic Components Ltd.

76 Holmethorpe Avenue, Holmethorpe Industrial Estate,
 Redhill, Surrey, RH1 2PF, England, UK

Tel: 01737-771375 Fax: 01737-766012 Website: www.cliffuk.co.uk

DIMENSIONS IN MILLIMETERS UNLESS OTHERWISE STATED. WORK TO DIMENSIONS. REMOVE ALL BURRS. IF IN DOUBT ASK.

3rd ANGLE PROJECTION:

DO NOT SCALE

MATERIAL: ABS / POM / BRASS

FINISH: AS MOULDED / Ni PLATED

TITLE: DC CONNECTOR DCP3 $\phi 1.30$ (FLANGED)

THE CONTENTS OF THIS DOCUMENT MUST NOT BE COPIED OR DISCLOSED TO A 3rd PARTY WITHOUT WRITTEN PERMISSION OF CLIFF UK. © 1992

DRAWN: T.J.O.

APPROVED: D.P.J.

DRWG. No. **FA67555**

FORM: A4DRWGH