

Cliff Electronic Components Ltd.

76 Holmethorpe Avenue, Holmethorpe Industrial Estate,
Redhill, Surrey, RH1 2PF, England, UK
Tel: 01737-771375 Fax: 01737-766012 Website: www.cliffuk.co.uk

**FIBER OPTIC DATA LINK
DATA SHEET**

MODEL NO. : 202G-01-GF

DATE : 202G-01-GF

VERSION : G

DEVICE NO. : UVRE ÁU ÚVÔ ÔŠÁÜÔË ÛT QVÔÜÁRÔŠD



RCA and Shutter Colour Notes:

FCR684206T : RCA Black - Shutter Grey - RCA Nickel Plating

Cliff Electronic Components Ltd.

76 Holmethorpe Avenue, Holmethorpe Industrial Estate,
Redhill, Surrey, RH1 2PF, England, UK
Tel: 01737-771375 Fax: 01737-766012 Website: www.cliffuk.co.uk

Features

- High speed signal transmission
(16Mbps, NRZ signal)
- Input TTL compatible
- +3~+5V power source

Descriptions

ØÖÛÛ Ì | GÉ V is a new design connector including traditional RCA and Data Link inner opto-electric component. Not only does DATA LINK transmit electric digital signal but also light signal.

The optic unit is operated at single +3V~ +5V and RCA input signal at ± 0.5 V.

ØÖÛÛ Ì | GÉ V has a maximum operating speed of 16 Mbps. The optic unit has high performance at low dissipation current, steady light output and efficient light coupling.

Applications

- DVD player
- TV
- MD
- Digital optical data link
- Sound Card
- Set-top box

Device Selection Guide

Chip		Operating Voltage (Vcc)	Dissipation Current(mA)	Fiber Coupling Light Output (dBm)		
IC Material	LED λ p(nm)			Typ.	Min.	Typ.
Si	650	2.7~5.5V	4	-21	-	-15

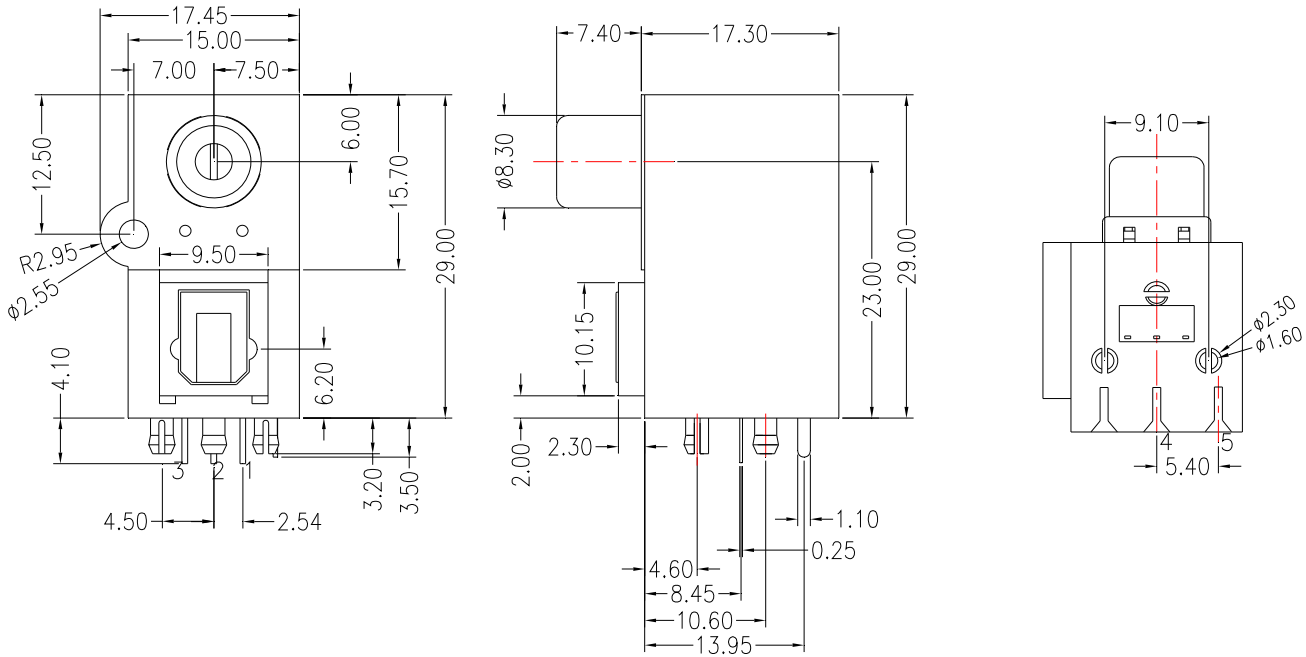
Cliff Electronic Components Ltd.

76 Holmethorpe Avenue, Holmethorpe Industrial Estate,

Redhill, Surrey, RH1 2PF, England, UK

Tel: 01737-771375 Fax: 01737-766012 Website: www.cliffuk.co.uk

Package Dimensions

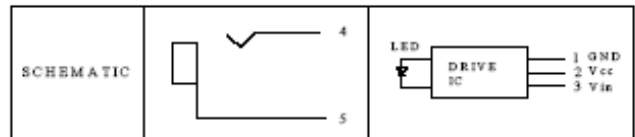


Notes: 1.All dimensions are in millimeters.

2.General Tolerance:±0.2mm

Pin Function

- 1. GND 4.Positive
- 2. Vcc 5.Negative
- 3. Vin



Absolute Maximum Ratings(Ta = 25°C)

Parameter	Symbol	Rating	Unit
Supply Voltage	Vcc	-0.5 to 7	V
DC Input Voltage	Vin	-0.5 to Vcc+0.5	V
Power Dissipation	P	120	mW
Storage Temperature	Tstg	-30 to 80	°C
Operating Temperature	Topr	-20 to 70	°C
Soldering Temperature	Tsol	260*	°C

* Soldering time ≤ 5 s / 2 times.

*Don't touch flux soldering and white Gas

Cliff Electronic Components Ltd.

76 Holmethorpe Avenue, Holmethorpe Industrial Estate,
Redhill, Surrey, RH1 2PF, England, UK

Tel: 01737-771375 Fax: 01737-766012 Website: www.cliffuk.co.uk

Electro-Optical Characteristics

Parameter	Symbol	Conditions	MIN.	TYP.	MAX.	Unit
Operating Voltage(optic unit)	V _{cc}	-	2.7	-	5.5	V
(electrical unit)			0.75		1.25	
Peak Emission Wavelength	λ_p	-	640	-	670	nm
Transmission Speed		NRZ signal	DC	-	16	Mbps
Transmission Distance		Using APF	0.2	-	20	m
Pulse Width Distortion	Δtw	16Mbps NRZ Signal	-15	-	15	ns
Fiber Coupling Light Output	P _f	*1	-21	-	-15	dBm
Dissipation Current	I _{cc}	*2	-	4	10	mA
High Level Input Voltage	V _{IH}		2.0	-	-	v
Low Level Input Voltage	V _{IL}		-	-	0.8	v
Rise Time	t _r	*3	-	-	30	ns
Fall Time	t _f	*3	-	-	30	ns
Low → High propagation delay time	t _{PLH}	*3	-	-	100	ns
High → Low propagation delay time	t _{PHL}	*3	-	-	100	ns
Jitter	Δtj	*3	-	1.5	15	ns

ØÜÏ Ì | GÊ VÁight transmitting unit satisfies EIAJ CP-1201 digital audio interface standard.

Cliff Electronic Components Ltd.

76 Holmethorpe Avenue, Holmethorpe Industrial Estate,

Redhill, Surrey, RH1 2PF, England, UK

Tel: 01737-771375 Fax: 01737-766012 Website: www.cliffuk.co.uk

Reliability Test Items

No.	Item	Test Condition	Test Hour/Cycle	Samples	Number (n) Failure (c)
1	Soldering Heat	260°C±5°C	5 sec./2times	22	n=22, c=0
2	High temp. & Hum. storage	Ta=40°C, 90%RH	500	22	n=22, c=0
3	High temp. storage	Ta=80°C	500	22	n=22, c=0
4	Low Temp. storage	Ta=-30°C	500	22	n=22, c=0
5	Temp. cycling	-30°C ~ 80°C (30min) (5min) (30min)	20	22	n=22, c=0
6	High Temp. Operation life	Ta=60°C, Vcc=5V ON	500	22	n=22, c=0
7	Repeated operation	500 times	Coupling force < 2 kg 0.4kg<Detaching force <2kg	22	n=22, c=0
8	Terminal Strength(tension)	Weight: 500 g 30 sec./each terminal		22	n=22, c=0
9	Terminal Strength(bending)	Weight: 500 g 2 times/each terminal		22	n=22, c=0
10	Mechanical Shock	Acceleration: 1000m/s ² Pulse width: 6 ms 3 times/ X,Y,Z direction		22	n=22, c=0
11	Vibration	Frequency range: 10~55 Hz /sweep 1 min Overallamplitude:1.5 mm 2H./X,Y,Z direction		22	n=22, c=0

I_{cc} (dissipation current): CURRENT ATTENUATE DIFFERENCE < 20%

P_f (fiber coupling light output): BRIGHTNESS ATTENUATE DIFFERENCE < 20%

T_{PLH} (propagation L → H delay time): DELAY TIME DIFFERENCE < 20%

T_{PHL} (propagation H → L delay time): DELAY TIME DIFFERENCE < 20%

T_r (rise time): TIME DIFFERENCE < 20%

T_f (fall time): TIME DIFFERENCE < 20%

Cliff Electronic Components Ltd.

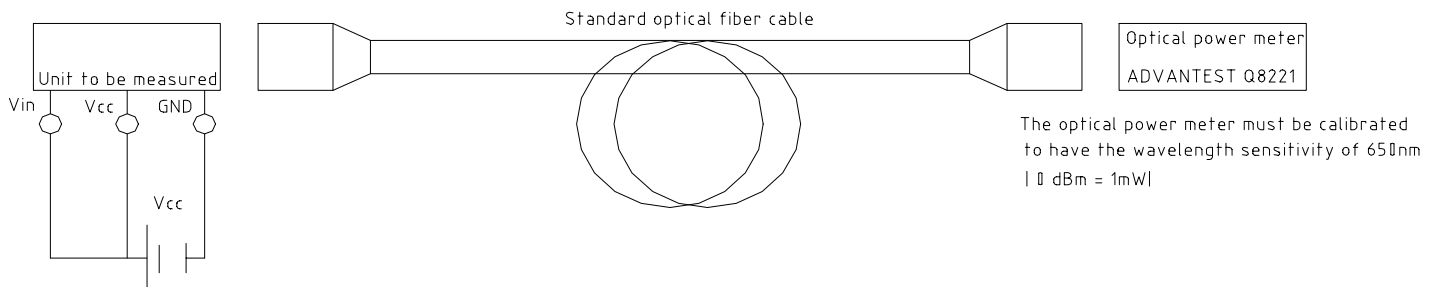
76 Holmethorpe Avenue, Holmethorpe Industrial Estate,

Redhill, Surrey, RH1 2PF, England, UK

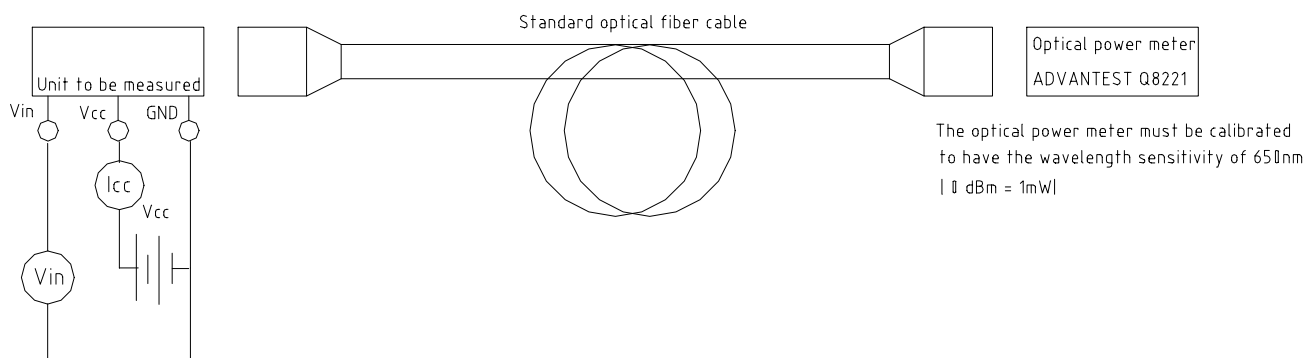
Tel: 01737-771375 Fax: 01737-766012 Website: www.cliffuk.co.uk

Measuring Method

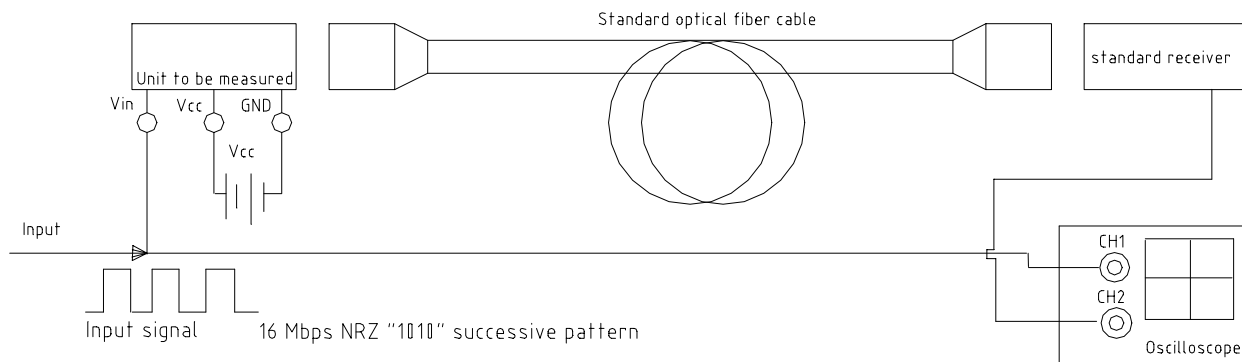
*1 Measuring method of optical output coupling fiber



*2 Input voltage/power dissipation measuring method



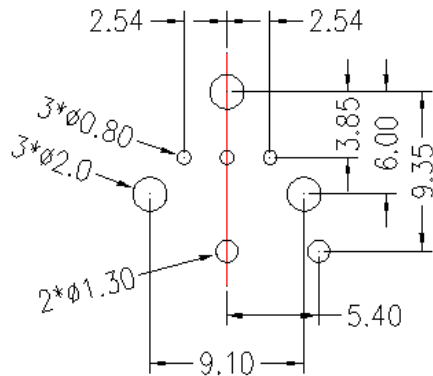
*3 Pulse response and jitter measuring method



Cliff Electronic Components Ltd.

76 Holmethorpe Avenue, Holmethorpe Industrial Estate,
Redhill, Surrey, RH1 2PF, England, UK
Tel: 01737-771375 Fax: 01737-766012 Website: www.cliffuk.co.uk

PCB Layout For Electrical Circuit

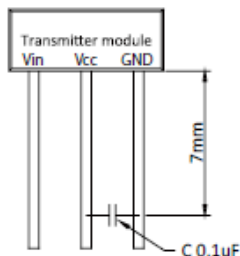


Notes:

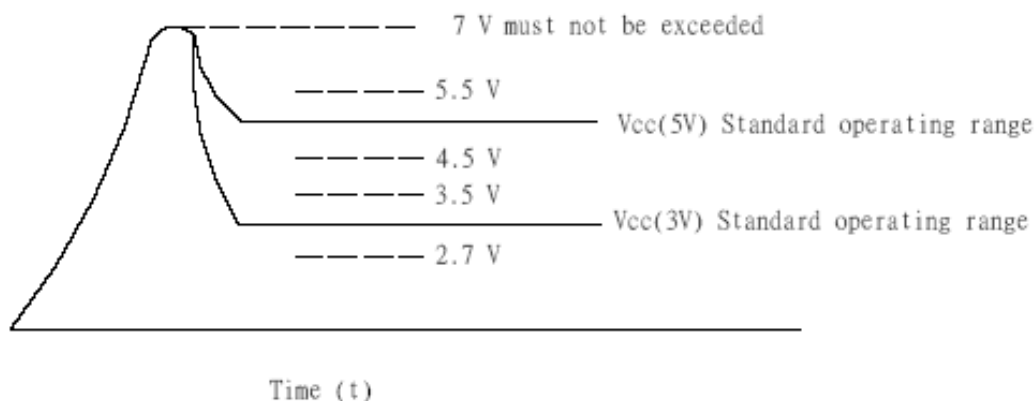
1. Unit:mm
2. Unspecified tolerance: ± 0.3 mm
3. Substrate Thickness: 1.6mm

Precautions for Using Method

1. Connect a by-pass capacitor (0.1 μ F) close to FCR684206T within 7 mm of the unit lead frame.



2. Take proper electrostatic-discharge (ESD) precautions while handling these devices. These devices are sensitive to ESD.
3. Please follow the conditions described in the diagram below.



Cliff Electronic Components Ltd.

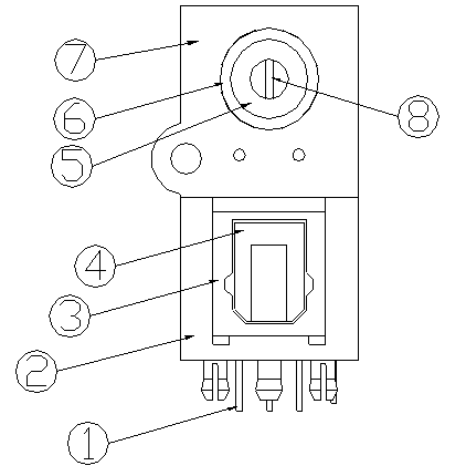
76 Holmethorpe Avenue, Holmethorpe Industrial Estate,

Redhill, Surrey, RH1 2PF, England, UK

Tel: 01737-771375 Fax: 01737-766012 Website: www.cliffuk.co.uk

Material Description

No.	Description	Material
1	OPTIC COMPONENT	
2	Main Housing (Black)	PBT (UL94 V-0)
3	Housing (Black)	PBT (UL94 V-0)
4	Shutter (Grey)	PBT (UL94 V-0)
5	RCA Insert (Black)	PBT (UL94 V-0)
6	Contact terminal (-)	Phos Brz - Ni Plate
7	Shield	Phos Brz - Ni Plate
8	Contact terminal (+)	Phos Brz - Ni Plate



RCA and Shutter Colour Notes:

FCR684206T : RCA Black - Shutter Grey - RCA Nickel Plating