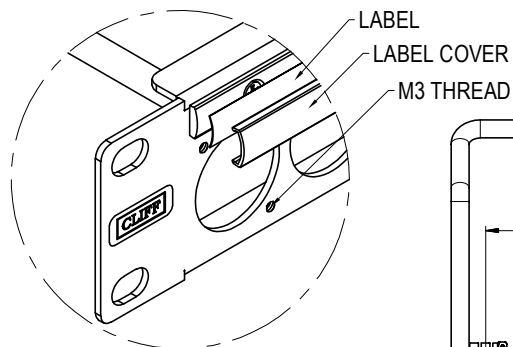
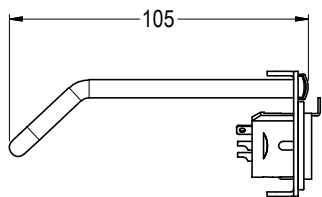
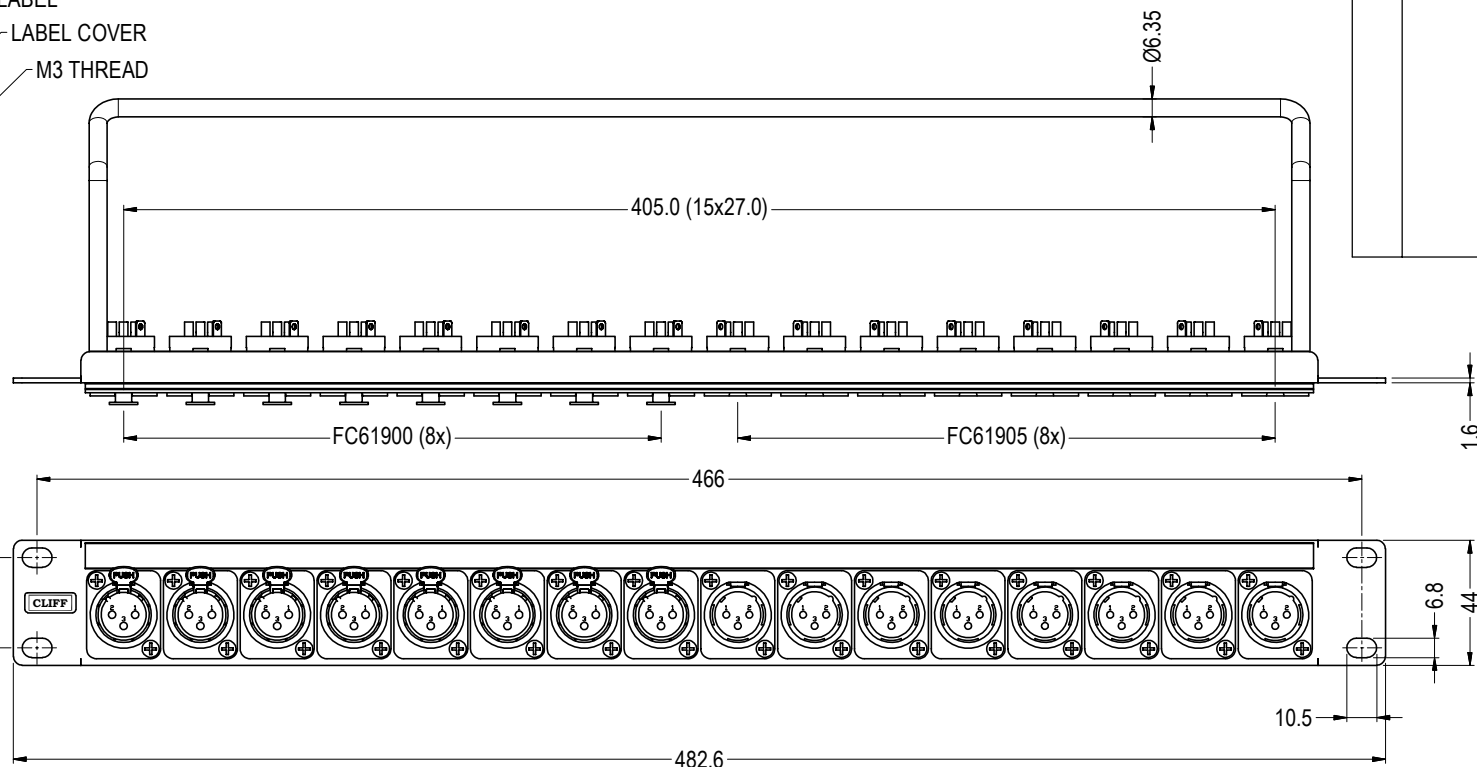


ISS.	AMEND	DATE
1	ISSUED	22/10/18
2	CLIFF LABEL	20/05/19

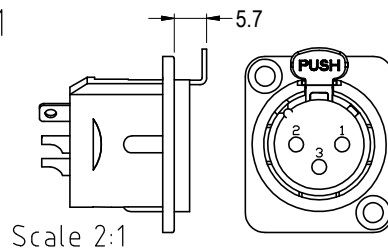


VIEW SHOWING LABEL & LABEL COVER REMOVED

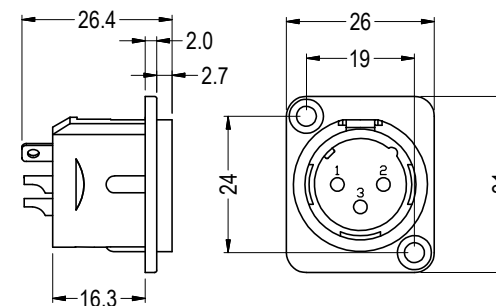


ASSEMBLE:

- 1x CP30151 1U 16x PANEL - M3 HOLES
- 8x FC61900 XLR SOCKET FEMALE 3DCF/BM LATCH
- 8x FC61905 XLR SOCKET MALE 3DCM/BM



FC61900 - XLR SOCKET FEMALE 3DCF/BM LATCH



FC61905 - XLR SOCKET MALE 3DCM/BM

**RoHS**  
COMPLIANT

**TOLERANCE**  
 NO DEC. PLACE ±  
 1 DEC. PLACE ±  
 2 DEC. PLACE ±  
 HOLE Ø ±  
 ANGLES ±  
 UNLESS OTHERWISE STATED

DO NOT SCALE

**Cliff Electronic Components Ltd.**

76 Holmesthorpe Avenue, Holmesthorpe Industrial Estate,  
 Redhill, Surrey, RH1 2PF, England, UK  
 Tel: 01737-771375 Fax: 01737-766012 Website: www.cliffuk.co.uk

THE CONTENTS OF THIS DOCUMENT MUST NOT BE COPIED OR DISCLOSED TO A 3rd PARTY WITHOUT WRITTEN PERMISSION OF CLIFF UK. © 2018

DIMENSIONS IN MILLIMETERS UNLESS OTHERWISE STATED. WORK TO DIMENSIONS. REMOVE ALL BURRS. IF IN DOUBT ASK.

3rd ANGLE PROJECTION:

MATERIAL: SEE CP30151 + FC61900 + FC61905 DRAWINGS

FINISH: BLACK - SEE CP30151 + FC61900 + FC61905 DRAWINGS

DRAWN: T.J.O.

APPROVED: DPJ

TITLE: RACK 8+8 XLR 3DCF 3DCM BM FM M3

DRWG. No. **CP30183**

FORM: A4DRWGf