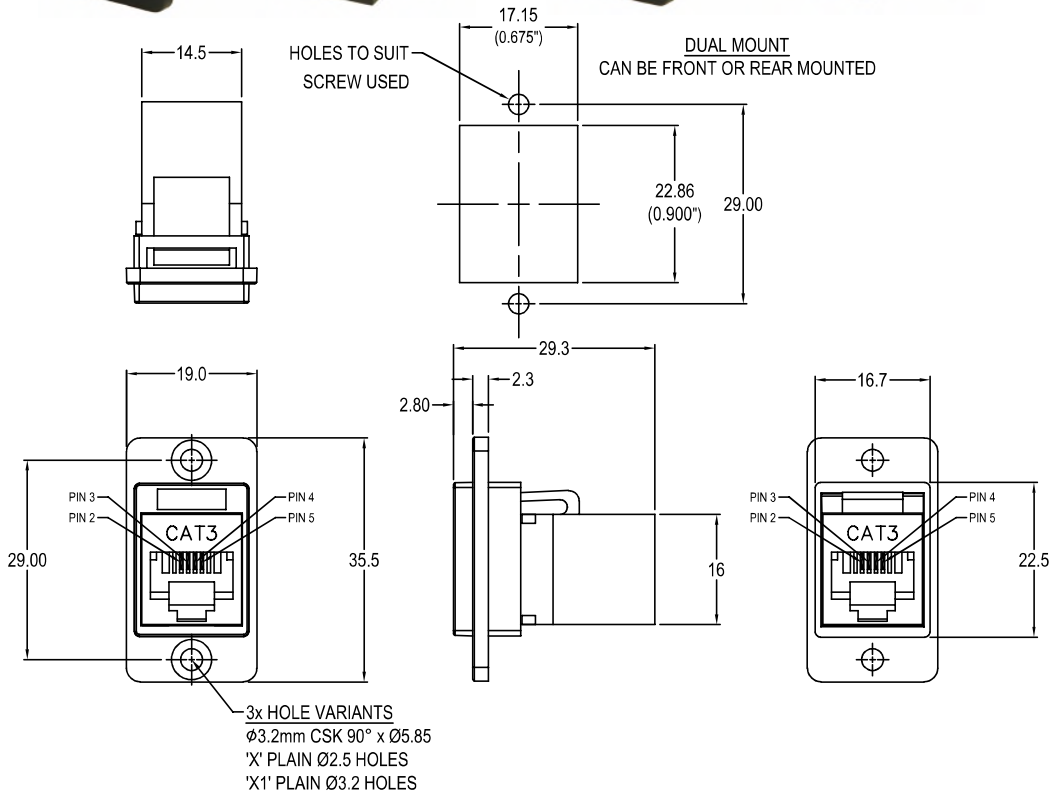




DUALSLIM CAT3 RJ11 6P4C FEEDTHROUGH CONNECTOR

Can be front or rear mounted in the panel



VARIANTS

Part No.

CP30723

DUALSLIM Cat3 RJ11 6P4C Black plastic frame, CSK holes

CP30723X

DUALSLIM Cat3 RJ11 6P4C Black plastic frame, Ø2.5 PLAIN holes

CP30723X1

DUALSLIM Cat3 RJ11 6P4C Black plastic frame, Ø3.2 PLAIN holes

Feedthrough Features

- Fits standard rectangular cutout.
- Front or rear mounting through the panel.
- Various hole mounting options.
- No soldering or punch termination. Use standard cable for each connector style.
- Low rear profile.

General:

Please note: Functionality is affected by cable quality, length and cable wiring configuration.

Material:

1. RJ11 In-Line Coupler:
PC/ABS, UL 94V-0, Black colour
2. RJ11 In-Line Coupler Contact:
Phosphor Bronze, 3-50 micro inches gold plating over nickel plate.
3. PCB: FR4, UL 94V-0
4. Plastic Frame: Polyamide UL94 V-2

Performance:

1. Operating temperature: Min -10°C Max +60°C