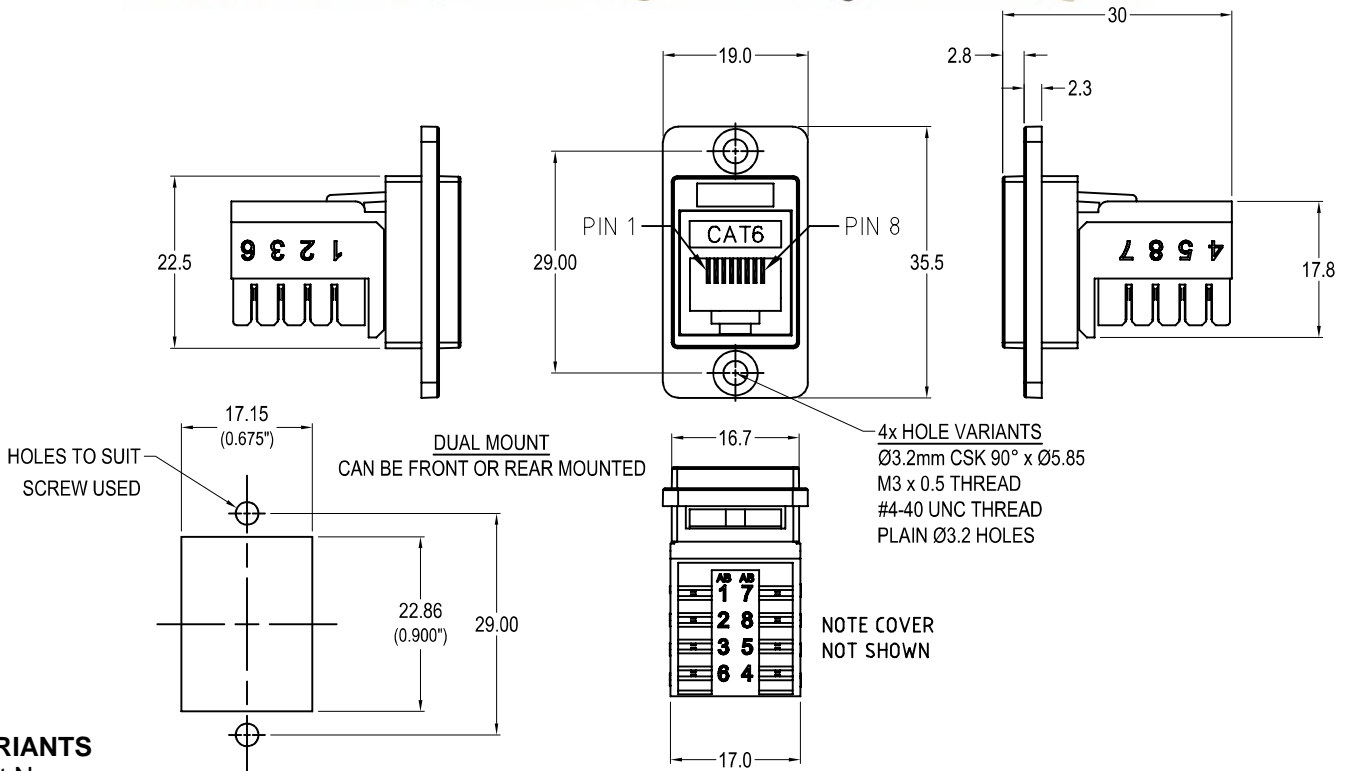


CLIFF

CAT6 IDC FEEDTHROUGH CONNECTOR



VARIANTS

Part No.

CP30727M	DUALSLIM Cat6 IDC Nickel frame, CSK holes
CP30727MB	DUALSLIM Cat6 IDC Black metal frame, CSK holes
CP30727M3	DUALSLIM Cat6 IDC Nickel frame, M3 holes
CP30727MB3	DUALSLIM Cat6 IDC Black metal frame, M3 holes
CP30727M440	DUALSLIM Cat6 IDC Nickel frame, #4-40 holes
CP30727MB440	DUALSLIM Cat6 IDC Black metal frame, #4-40 holes
CP30727MX1	DUALSLIM Cat6 IDC Nickel frame, Ø3.2 PLAIN holes
CP30727MBX1	DUALSLIM Cat6 IDC Black metal frame, Ø3.2 PLAIN holes

Feedthrough Features

- Fits standard rectangular cutout.
- Front or rear mounting through the panel.
- Various hole mounting options.
- Low rear profile.

General:

Please note: Functionality is affected by cable quality, length and cable wiring configuration.

Material:

1. RJ45 / IDC / Cover : PC
2. RJ45: Phosphor Bronze, gold plated
3. IDC: Phosphor Bronze, nickel plated
4. PCB: FR4
5. Frame: Diecast, Nickel or Black plated

Performance:

1. T568A + T568B wiring.