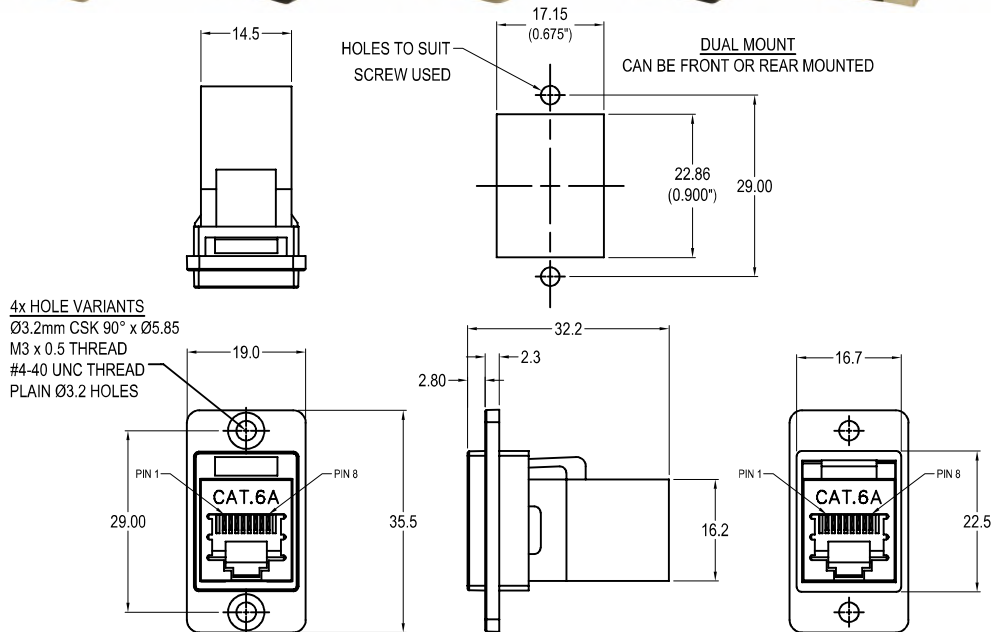


CLIFF

DUALSLIM CAT.6A SHIELDED RJ45 METAL FRAME FEEDTHROUGH CONNECTOR

Can be front or rear mounted in the panel



VARIANTS

Part No.

CP30725SM	DUALSLIM Cat.6A RJ45 Shielded Nickel frame, CSK holes
CP30725SMB	DUALSLIM Cat.6A RJ45 Shielded Black metal frame, CSK holes
CP30725SM3	DUALSLIM Cat.6A RJ45 Shielded Nickel frame, M3 holes
CP30725SMB3	DUALSLIM Cat.6A RJ45 Shielded Black metal frame, M3 holes
CP30725SM440	DUALSLIM Cat.6A RJ45 Shielded Nickel frame, #4-40 holes
CP30725SMB440	DUALSLIM Cat.6A RJ45 Shielded Black metal frame, #4-40 holes
CP30725SMX1	DUALSLIM Cat.6A RJ45 Shielded Nickel frame, Ø3.2 PLAIN holes
CP30725SMBX1	DUALSLIM Cat.6A RJ45 Shielded Black metal frame, Ø3.2 PLAIN holes

Feedthrough Features

- Fits standard rectangular cutout.
- Front or rear mounting through the panel.
- Various hole mounting options.
- No soldering or punch termination. Use standard cable for each connector style.
- Low rear profile.

General:

Please note: Functionality is affected by cable quality, length and cable wiring configuration.

Material:

- 1.RJ45 In-Line Coupler:
PC/ABS, UL 94V-0, Black colour
- 2.RJ45 In-Line Coupler Contact:
Phosphor Bronze, 3-50 micro inches gold plating over nickel plate.
- 3.PCB: FR4, UL 94V-0
4. Frame: Diecast, Nickel or Black plated

Performance:

- 1.T568A & T568B wiring.
- 2.Meet ISO/IEC 11801 and EN50173
- 3.Meet ANSI/TIA/EIA 568B.2
- 4.Operating temperature: Min -10°C Max +70°C