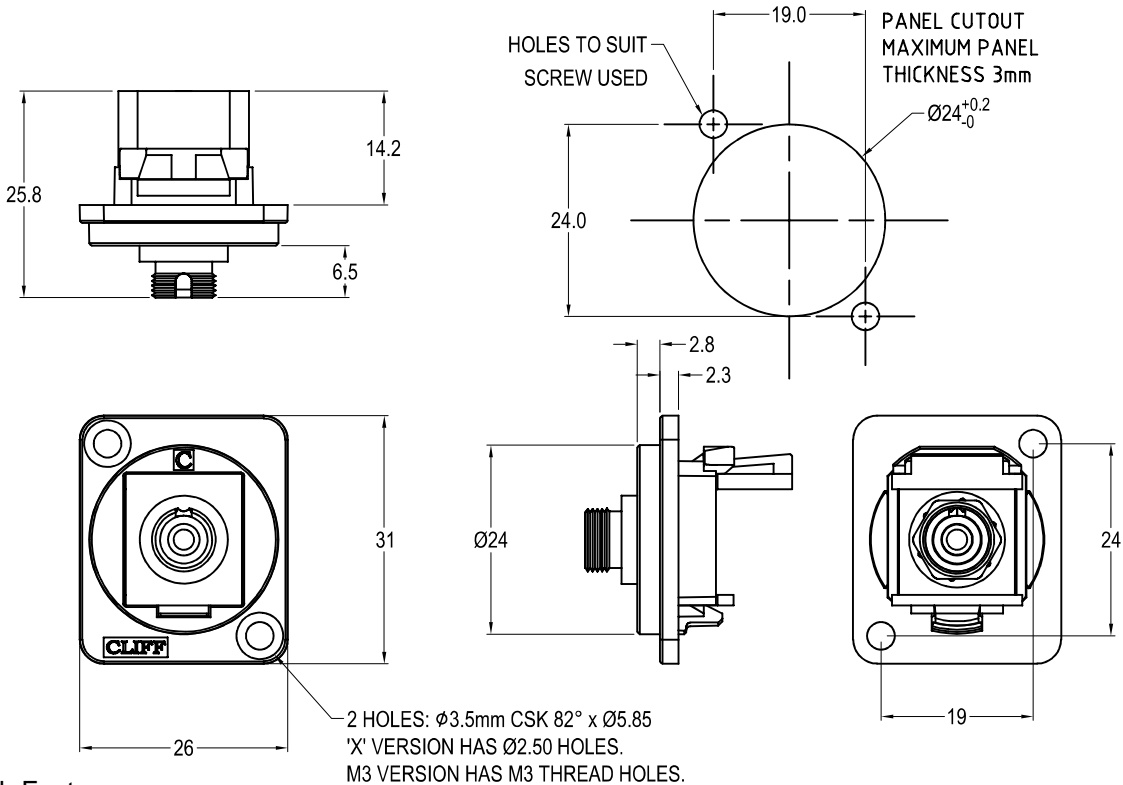




FC FIBRE FEEDTHROUGH CONNECTOR



Feedthrough Features

- Fits standard XLR Ø24mm cutout.
- No soldering or punch termination. Use standard cable for each connector style.
- Front or rear mounted.
- Low rear profile

General:

Please note: Functionality is affected by cable quality, length and cable wiring configuration.

Material:

1. Insert: ABS
2. Plastic Frame: Polyamide UL94 V-2
3. Metal Frame: Diecast, Black or Nickel plated
3. Covers: PVC
4. FC Contacts: Nickel Plated

VARIANTS

Part No.

- CP30219** FC Fibre Black plastic frame, CSK holes
- CP30219M** FC Fibre Nickel plated metal frame, CSK holes
- CP30219M3** FC Fibre Nickel plated metal frame, M3 holes
- CP30219MB** FC Fibre Black metal frame, CSK holes
- CP30219M3B** FC Fibre Black metal frame, M3 holes
- CP30219X** FC Fibre Black plastic frame, PLAIN holes