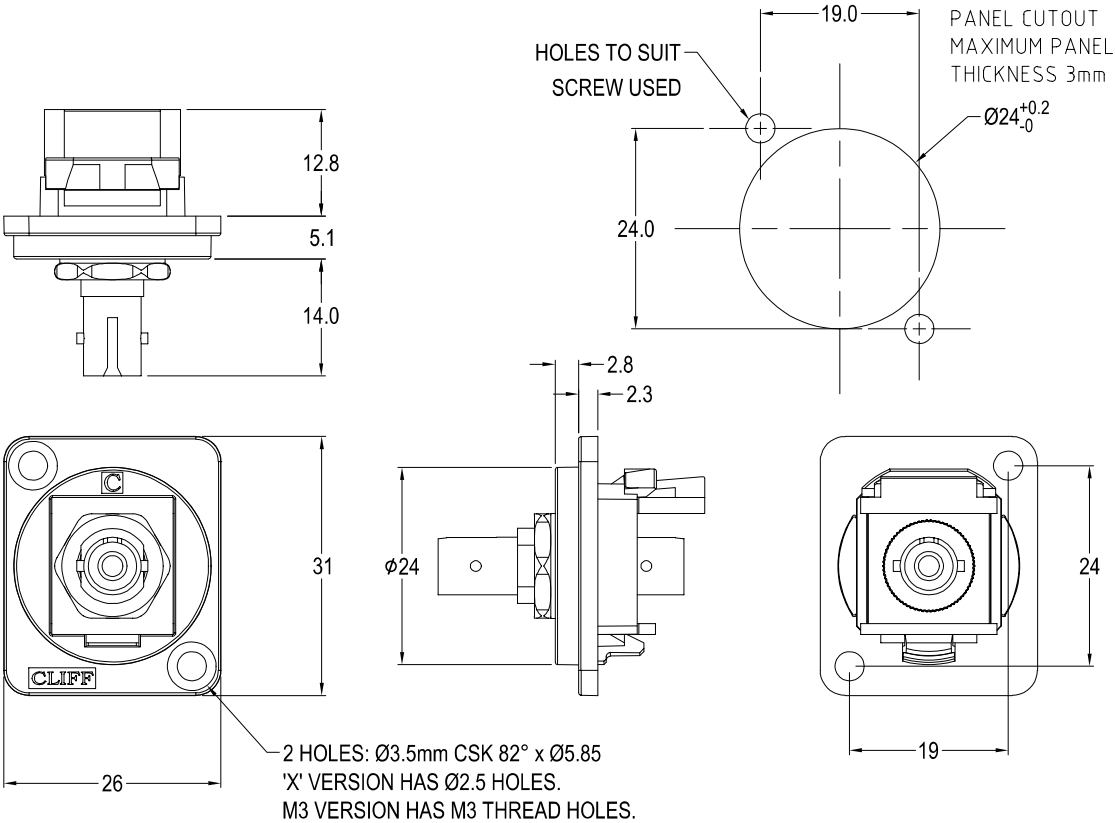




ST FIBRE FEEDTHROUGH CONNECTOR



Feedthrough Features

- Fits standard XLR Ø24mm cutout.
- No soldering or punch termination. Use standard cable for each connector style.
- Front or rear mounted.
- Low rear profile

General:

Please note: Functionality is affected by cable quality, length and cable wiring configuration.

Material:

1. Insert: ABS UL94 HB
2. Plastic Frame: Polyamide UL94 V-2
3. Metal Frame: Diecast, Black or Nickel plated
4. ST Contacts: Nickel Plated

VARIANTS

Part No.	Description
CP30218	ST Fibre Black plastic frame, CSK holes
CP30218M	ST Fibre Nickel plated metal frame, CSK holes
CP30218M3	ST Fibre Nickel plated metal frame, M3 holes
CP30218MB	ST Fibre Black metal frame, CSK holes
CP30218M3B	ST Fibre Black metal frame, M3 holes
CP30218X	ST Fibre Black plastic frame, PLAIN holes

For further information, contact sales@cliffuk.co.uk

Cliff Electronic Components Limited,
 76 Holmethorpe Avenue, Holmethorpe Ind. Estate,
 Redhill, Surrey RH1 2PF U.K.
 Tel: +44 (0)1737 771375 Fax: +44 (0)1737 766012

