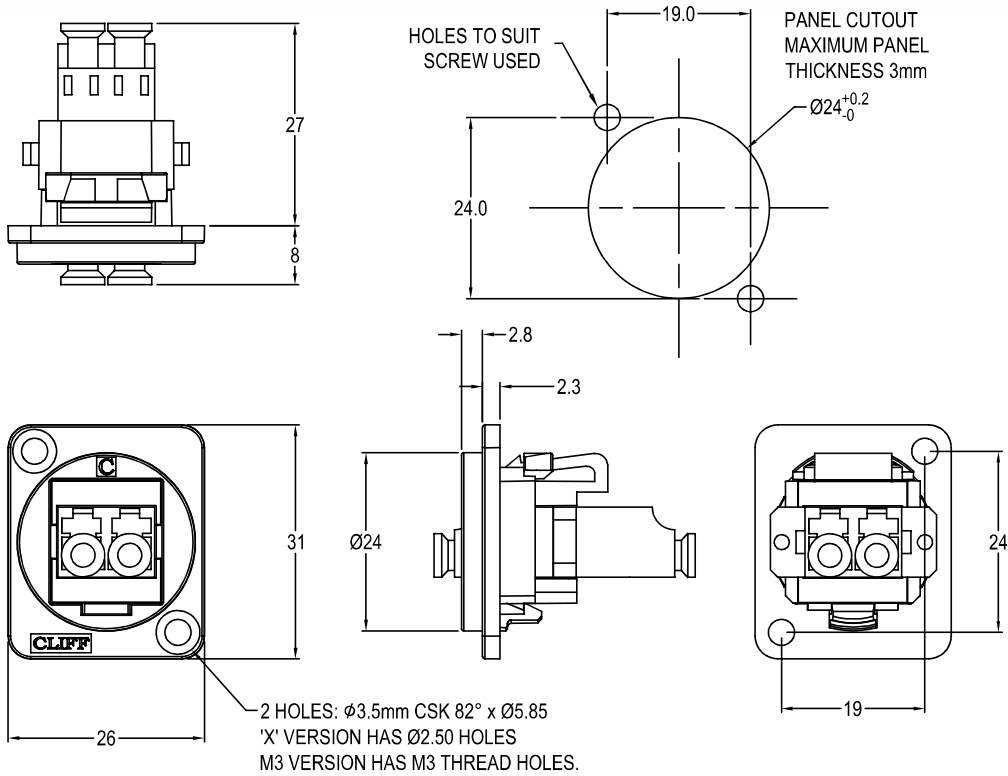




LC DUPLEX MM FEEDTHROUGH CONNECTOR



Feedthrough Features

- Fits standard XLR Ø24mm cutout.
- No soldering or punch termination. Use standard cable for each connector style.
- Front or rear mounted.
- Low rear profile

General:

Please note: Functionality is affected by cable quality, length and cable wiring configuration.

VARIANTS

Part No.	Description
CP30214	LC Duplex MM Black plastic frame, CSK holes
CP30214M	LC Duplex MM Nickel plated metal frame, CSK holes
CP30214M3	LC Duplex MM Nickel plated metal frame, M3 holes
CP30214MB	LC Duplex MM Black metal frame, CSK holes
CP30214M3B	LC Duplex MM Black metal frame, M3 holes
CP30214X	LC Duplex MM Black plastic frame, PLAIN holes

Material:

1. Coupler Body: PEI
2. Plastic Frame: Polyamide UL94 V-2
3. Metal Frame: Diecast, Black or Nickel plated
4. Sleeve: Ceramic
5. Dust Cover: PE
6. Insert: ABS/PC

Notes:

1. Insertion Loss: ≤0.3dB