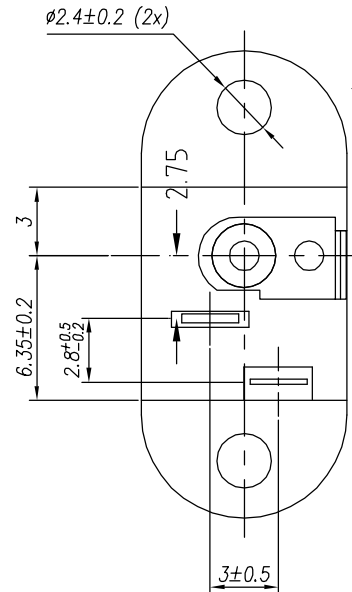
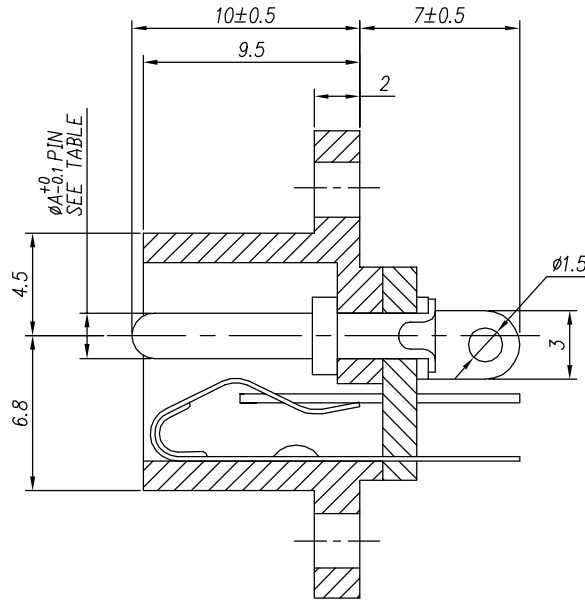
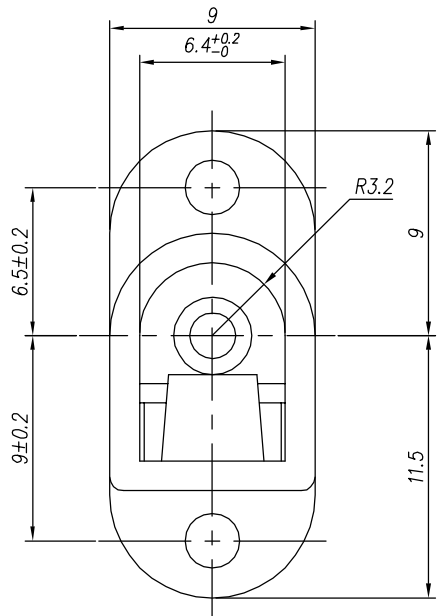
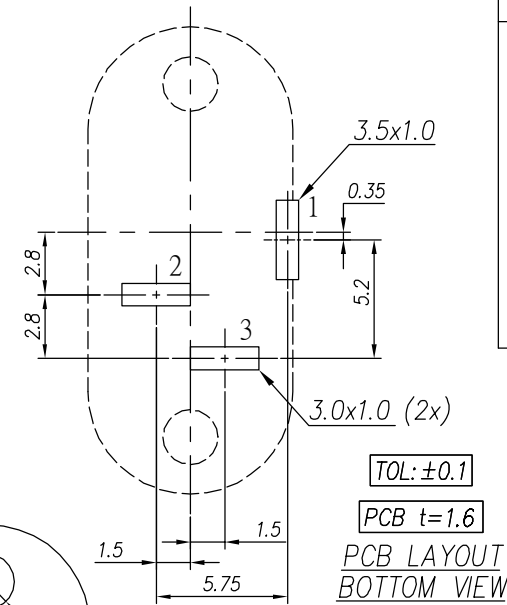
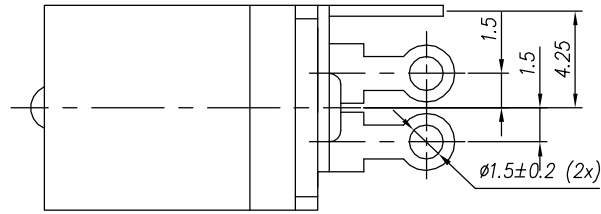
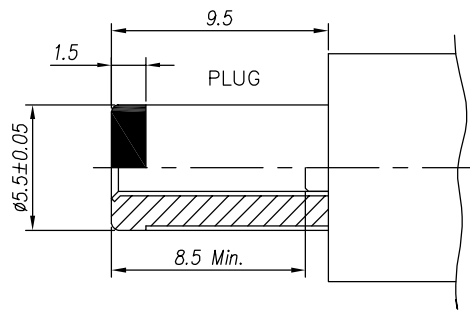
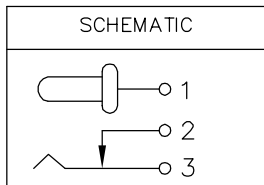


ISS.	AMEND	DATE
1	REDRAWN	02/07/90
2	MATERIAL PBT	14/02/91
3	UPDATED	21/07/15
4	PINOUT ERROR	02/02/16



PART No.	MODEL	CTR PIN 'A'
FC681492	DC13A	Ø2.10
FC681493	DC13B	Ø2.50



**RATED 12V DC 5A**

NO.	PART NAME	QTY	MATERIAL	PLATED / COLOUR	REMARK
6	SLEEVE TERMINAL	1	C5210R-SH	Ag: 0.3~1µm	t=0.2
5	PIN TERMINAL	1	C2680R-H	Ag: 0.3~1µm	t=0.5
4	BREAK TERMINAL	1	C2680R-H	Ag: 0.3~1µm	t=0.35
3	CENTER PIN	1	DARK BRASS	Ag: 0.3~1µm	
2	BACK COVER	1	BAKELITE	BLACK	94HB
1	HOUSING	1	POM M90	BLACK	94HB

**RoHS COMPLIANT**

**TOLERANCE**  
 NO DEC. PLACE ±  
 1 DEC. PLACE ± 0.30  
 2 DEC. PLACE ±  
 HOLE Ø ±  
 ANGLES ± °2  
 UNLESS OTHERWISE STATED

**Cliff Electronic Components Ltd.**

76 Holmethorpe Avenue, Holmethorpe Industrial Estate,  
 Redhill, Surrey, RH1 2PF, England, UK  
 Tel: 01737-771375 Fax: 01737-766012 Website: www.cliffuk.co.uk

THE CONTENTS OF THIS DOCUMENT MUST NOT BE COPIED OR DISCLOSED TO A 3rd PARTY WITHOUT WRITTEN PERMISSION OF CLIFF UK. © 1990

DIMENSIONS IN MILLIMETERS UNLESS OTHERWISE STATED. WORK TO DIMENSIONS. REMOVE ALL BURRS. IF IN DOUBT ASK.

MATERIAL: SEE TABLE

FINISH: SEE TABLE

DRAWN: C.A.M.J.

APPROVED: R.W.T.

3rd ANGLE PROJECTION:

TITLE: DC POWER SOCKET DC13

DRWG. No. **FC681492**

FORM: A4DRWGH

DO NOT SCALE