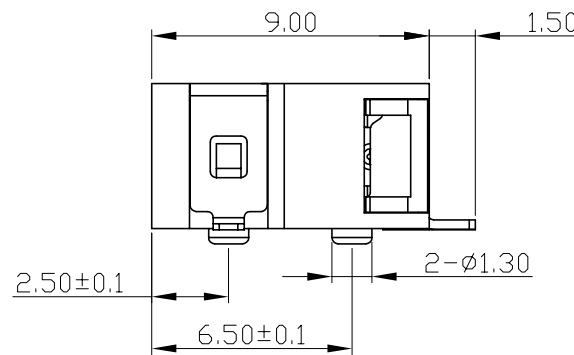
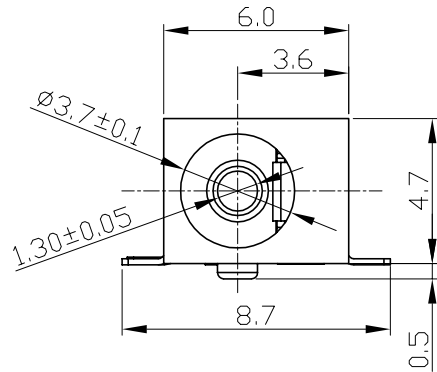
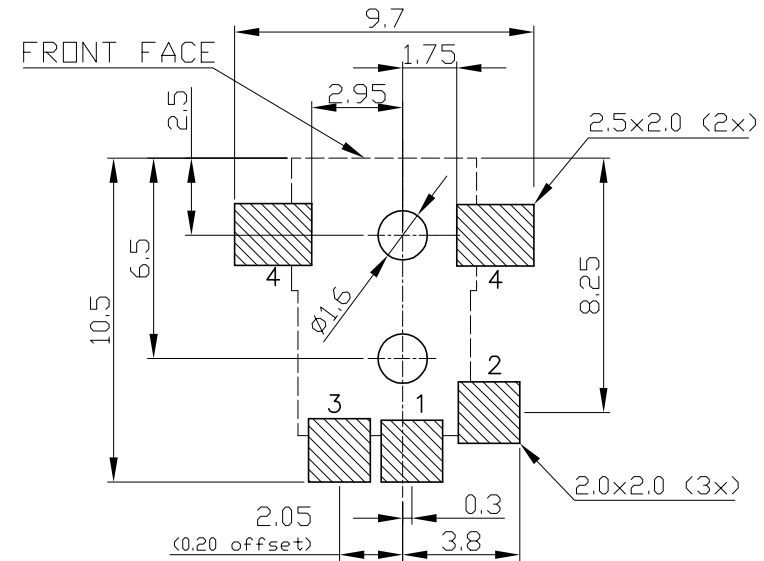
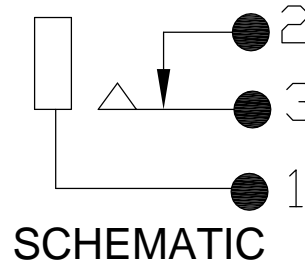
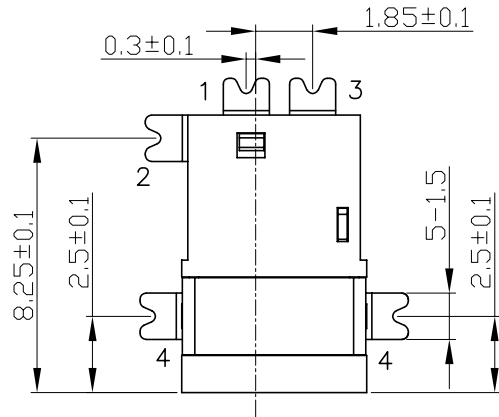
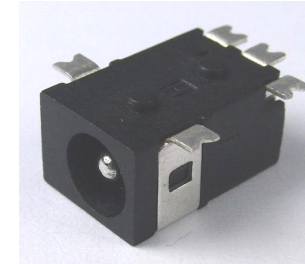


ISS.	AMEND	DATE
1	ISSUED	16/10/12
2	PAD DIMS ERROR	26/06/14
3	PAD 4 C/L DIMS	20/07/16

DESCRIPTION	QTY	MATERIAL	FINISH / COLOUR
HOUSING	1	NYLON	BLACK
CENTRE PIN	1	BRASS	TIN PLATED
CONTACT 1	1	BRASS	SILVER PLATED
CONTACT 2	1	BRASS	SILVER PLATED
CONTACT 3	1	SUS STEEL	SILVER PLATED
CONTACT 4	1	BRASS	SILVER PLATED



INSERTION / WITHDRAWAL FORCE: 0.3-2 kgf
 CONTACT RESISTANCE (4 TERMINAL METHOD 1KHz @<100mA)
 INITIAL PLUG / CONTACT <50mΩ
 CONTACT / SHUNT <30mΩ
 AFTER LIFE TEST PLUG / CONTACT <100mΩ
 CONTACT / SHUNT <60mΩ
 ELECTRICAL RATING 1A / 12V

VARIANTS			
PART No.	DESCRIPTION	PIN Ø	SUPPLIED
FC68145S	SMD DC8-AS	Ø1.30	BAGGED / LOOSE
FC68145ST	SMDT DC8-AS	Ø1.30	TAPED 1000x PER REEL

RoHS COMPLIANT

TOLERANCE
 NO DEC. PLACE ± 0.50
 1 DEC. PLACE ± 0.30
 2 DEC. PLACE ± 0.15
 HOLE Ø ± 0.10
 ANGLES ± 2°
 UNLESS OTHERWISE STATED

DO NOT SCALE

Cliff Electronic Components Ltd.
 76 Holmethorpe Avenue, Holmethorpe Industrial Estate,
 Redhill, Surrey, RH1 2PF, England, UK
 Tel: 01737-771375 Fax: 01737-766012 Website: www.cliffuk.co.uk

DIMENSIONS IN MILLIMETERS UNLESS OTHERWISE STATED. WORK TO DIMENSIONS. REMOVE ALL BURRS. IF IN DOUBT ASK.

3rd ANGLE PROJECTION:

MATERIAL: SEE TABLE

FINISH: CLEAN

DRAWN: T.J.O.

APPROVED: D.P.J.

TITLE: SMD SOCKET DC-8S Ø1.3mm PIN

DRWG. No. **FC68145S**

FORM: A4DRWGH