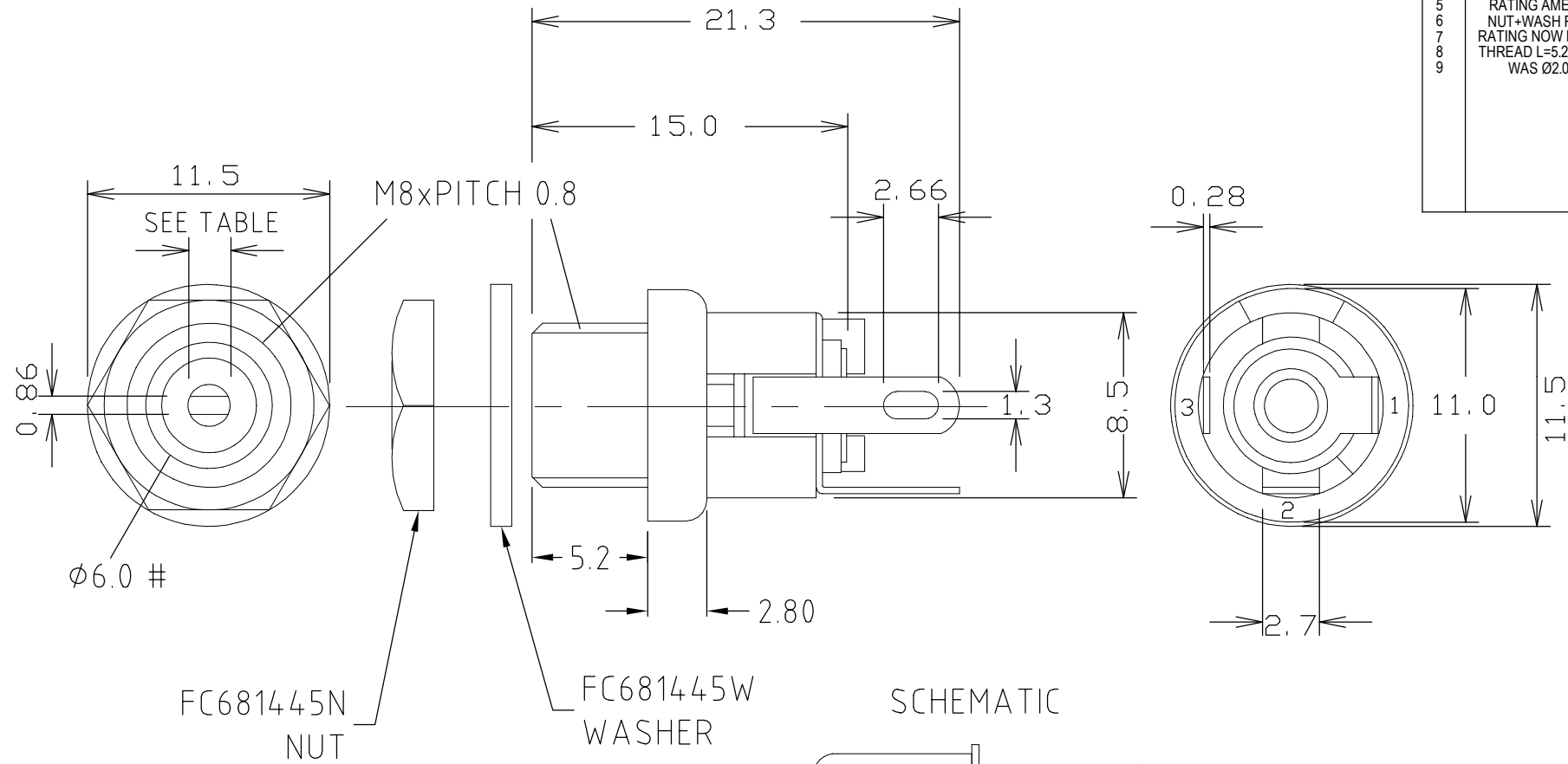


ISS.	AMEND	DATE
1	1st DRAWN	28/04/92
2	SEE #	19/07/93
3	RATING AMEND	11/08/98
4	WASH DIM DEL	28/07/00
5	RATING AMEND	30/10/06
6	NUT+WASH REF	17/03/09
7	RATING NOW IN VA	26/01/12
8	THREAD L=5.2 ADD	19/06/14
9	WAS Ø2.0	08/06/18



VARIANTS		
CENTRE PIN	MODEL No.	PART No.
Ø2.1mm	SCD-026	FC681445
Ø2.5mm	SCD-026A	FC681446

RoHS COMPLIANT
TOLERANCE NO DEC. PLACE ± 0.50 1 DEC. PLACE ± 0.20 2 DEC. PLACE ± 0.10 HOLE Ø ± 0.10 ANGLES ± 1/2° UNLESS OTHERWISE STATED
DO NOT SCALE