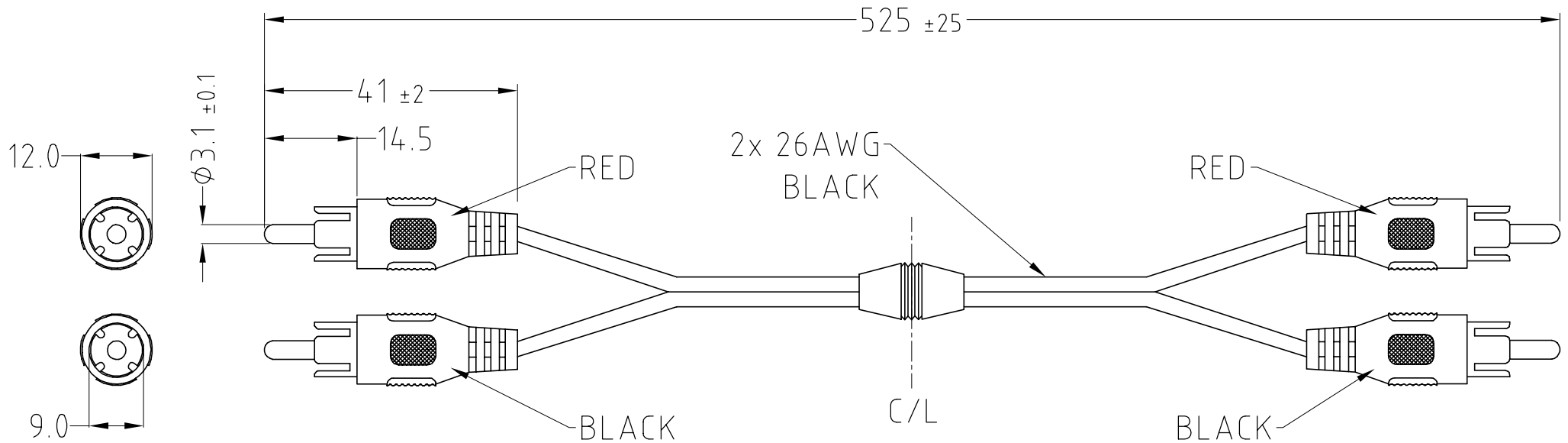


ISS.	AMEND	DATE
1		12/07/04
2	1st DRAWN UPDATED	11/12/13



EACH LEAD HANKED AND TIED

**RoHS**  
COMPLIANT

**TOLERANCE**  
 NO DEC. PLACE ±  
 1 DEC. PLACE ± 0.50  
 2 DEC. PLACE ±  
 HOLE Ø ± 0.10  
 ANGLES ± 1/2°  
 UNLESS  
 OTHERWISE STATED

**Cliff Electronic Components Ltd.**

DIMENSIONS IN MILLIMETERS UNLESS OTHERWISE STATED. WORK TO DIMENSIONS. REMOVE ALL BURRS. IF IN DOUBT ASK.

3rd ANGLE PROJECTION:

DO NOT SCALE

76 Holmethorpe Avenue, Holmethorpe Industrial Estate,  
Redhill, Surrey, RH1 2PF, England, UK

MATERIAL: PVC / COPPER / BRASS

TITLE: DUAL PHONO LEAD ASSY (ONE Y SPLITTER TYPE)

FINISH: AS MOULDED / EXTRUDED / Ni PLATED

THE CONTENTS OF THIS DOCUMENT MUST NOT BE COPIED OR DISCLOSED  
TO A 3rd PARTY WITHOUT WRITTEN PERMISSION OF CLIFF UK. © 2004

DRAWN: C.A.M.J.

APPROVED: R.W.T.

DRWG. No. **FCR683669**

FORM: A4DRWGH