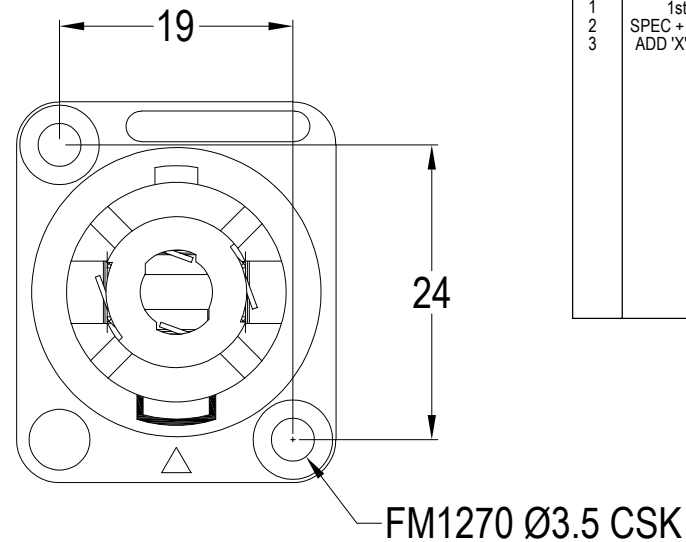
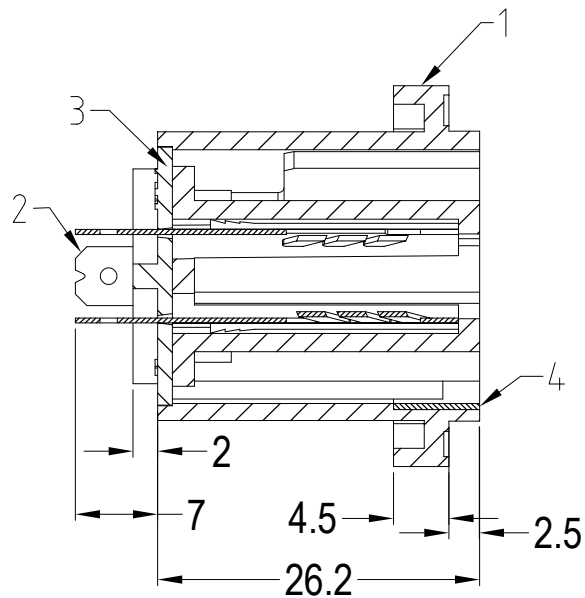
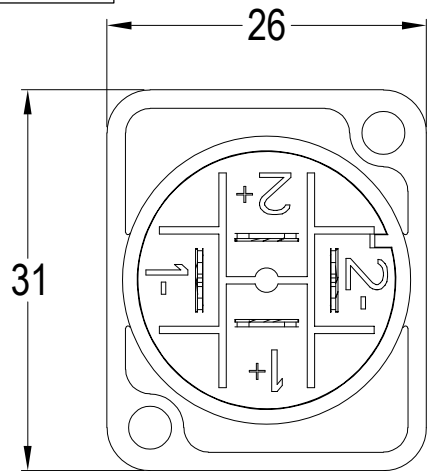


CLIFF

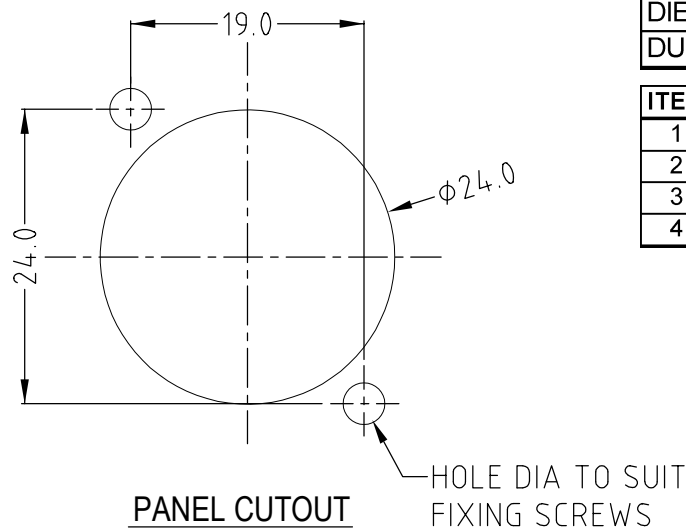
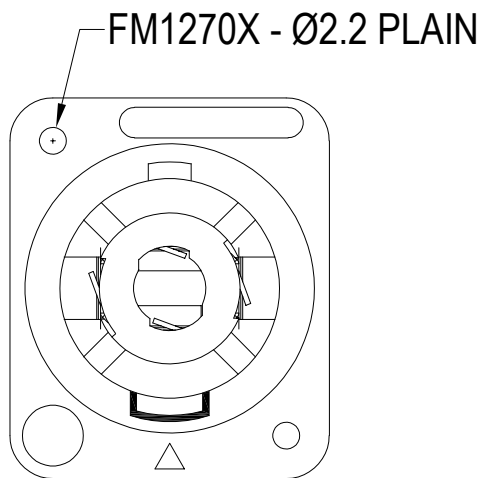


ISS.	AMEND	DATE
1	1st DRAWN	20/07/11
2	SPEC + MATL ADDED	07/03/16
3	ADD 'X' PLAIN HOLE	02/02/18

PART No.	HOLE DETAILS
FM1270	Ø3.5 + CSK
FM1270X	Ø2.2 PLAIN

SPECIFICATION	
CONTACT RESISTANCE	≤3mΩ
INSULATION RESISTANCE	≥1GΩ
DIELECTRIC STRENGTH	4KV (Peak)
DURABILITY (Mating & Unmating)	≥2,000

ITEM	DESCRIPTION	QTY	MATERIAL / FINISH
1	HOUSING	1	PA6, BLACK
2	CONTACT	4	BRASS, SILVER PLATED
3	BACK COVER	1	PA6, BLACK
4	INSERT	1	STEEL, NICKEL PLATED



RoHS
COMPLIANT

TOLERANCE
 NO DEC. PLACE ±
 1 DEC. PLACE ±
 2 DEC. PLACE ±
 HOLE Ø ±
 ANGLES ±
 UNLESS OTHERWISE STATED

DO NOT SCALE

Cliff Electronic Components Ltd.
 76 Holmehorpe Avenue, Holmehorpe Industrial Estate,
 Redhill, Surrey, RH1 2PF, England, UK
 Tel: 01737-771375 Fax: 01737-766012 Website: www.cliffuk.co.uk

DIMENSIONS IN MILLIMETERS UNLESS OTHERWISE STATED. WORK TO DIMENSIONS. REMOVE ALL BURRS. IF IN DOUBT ASK.

3rd ANGLE PROJECTION:

MATERIAL: COMPOSITE

TITLE: CLIFFCON-S 4 POLE SKT SMALL RECTANGULAR

FINISH: CLEAN - BLACK

DRAWN: T.J.O.

APPROVED: D.P.J.

DRWG. No. **FM1270**

FORM: A4DRWGH

THE CONTENTS OF THIS DOCUMENT MUST NOT BE COPIED OR DISCLOSED TO A 3rd PARTY WITHOUT WRITTEN PERMISSION OF CLIFF UK. © 2011